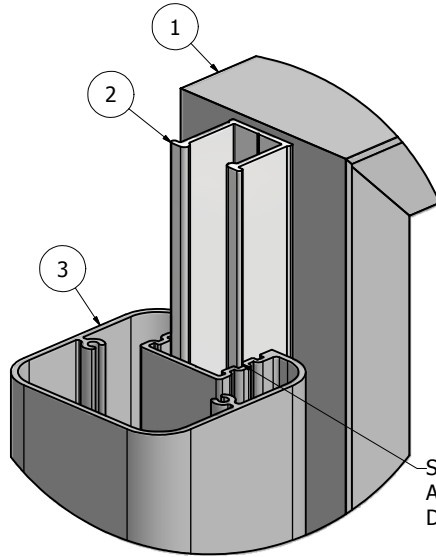
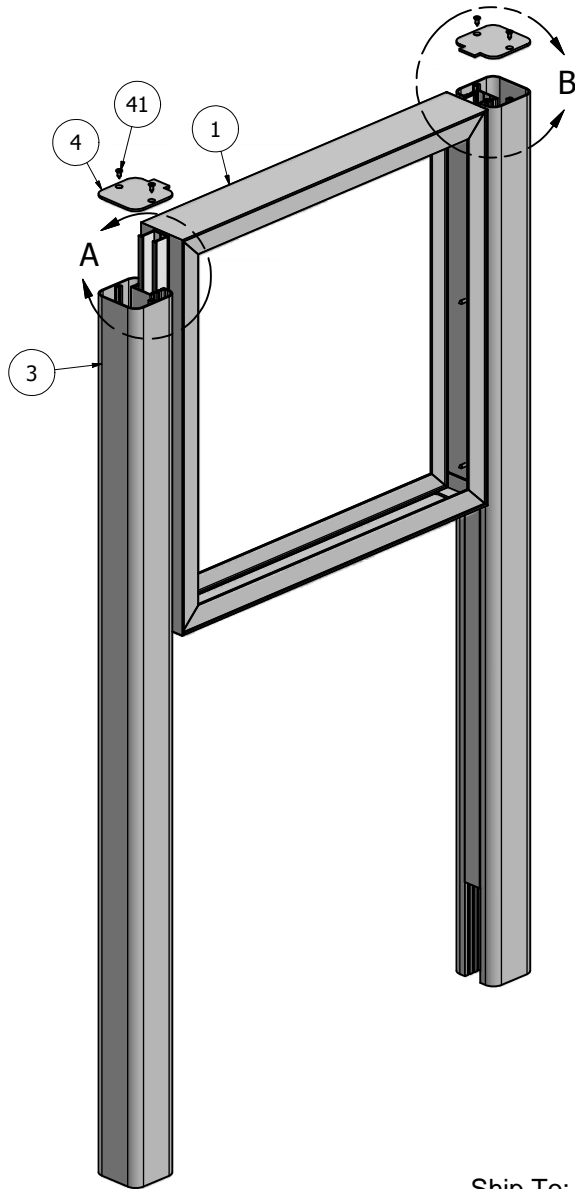
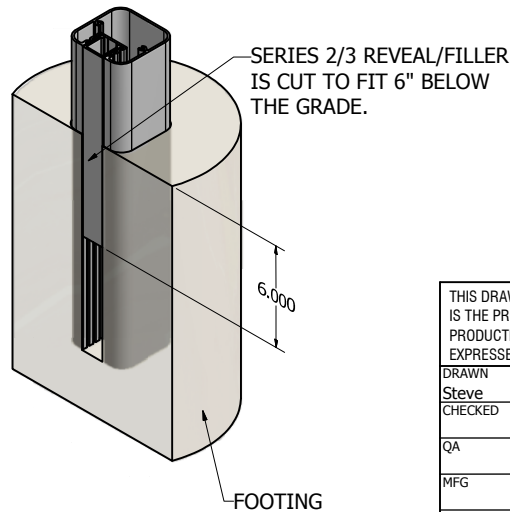


Parts List			
ITEM	PART #	DESCRIPTION	NOTES
1	1270	Series 3 Bleed Body - Assembly	Slide assembly into post
2	1200	Series 2/3 Reveal	Attached to body
3	1235	Series 3 Square Post w/Radius Edges - Assembly	
4	Post Cap	Series 3 Square Post w/Radius Edges Cap	Zero Reveal Part #5410, 3/8" Reveal Part #5411, 3/4" Reveal Part #5412
41	5040w	Post Cap Screws	2 - #10 x 1/2" counter sunk phillips head screws per post

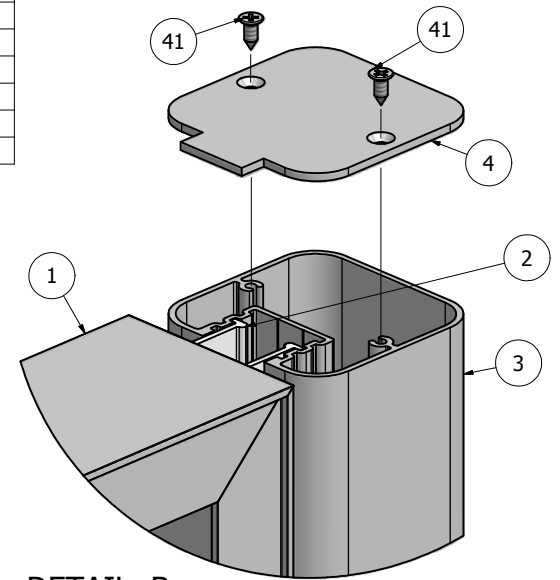


DETAIL A

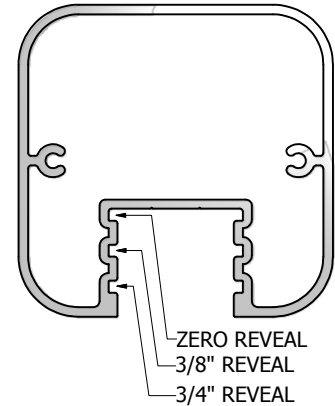
SLIDE THE BODY/CABINET ASSEMBLY INTO THE DESIRED REVEAL POSITION.



SERIES 2/3 REVEAL/FILLER IS CUT TO FIT 6" BELOW THE GRADE.



DETAIL B



**NOTE: PRE-CUT KITS ARE NOT PRE-DRILLED.**

(Holes shown in this drawing are for reference only. Drilling of pilot holes are to be done by fabricator.)

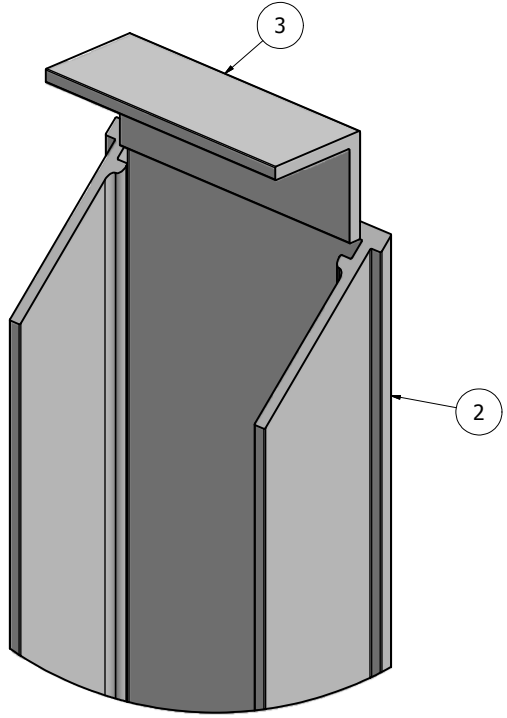
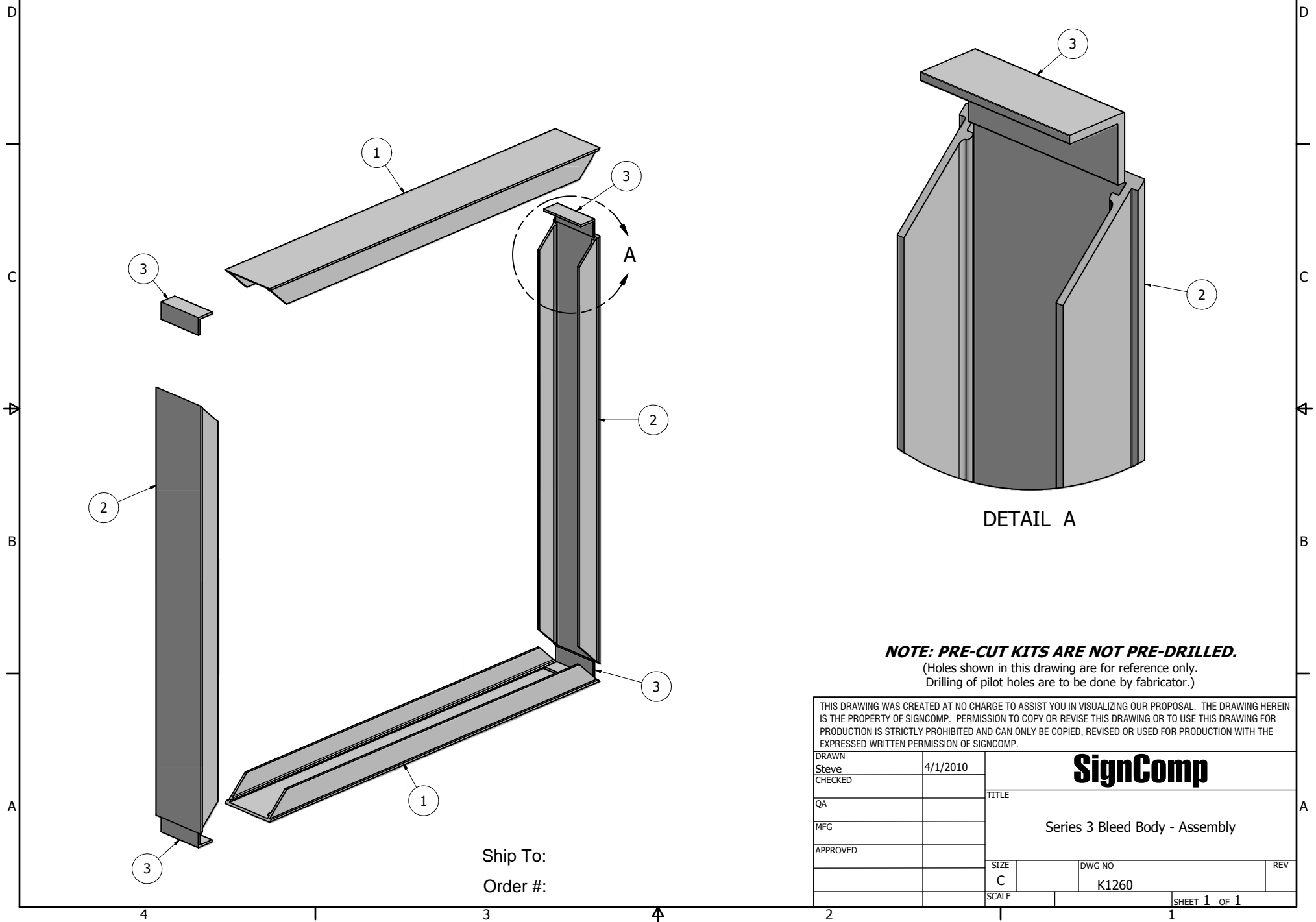
THIS DRAWING WAS CREATED AT NO CHARGE TO ASSIST YOU IN VISUALIZING OUR PROPOSAL. THE DRAWING HEREIN IS THE PROPERTY OF SIGNCOMP. PERMISSION TO COPY OR REVISE THIS DRAWING OR TO USE THIS DRAWING FOR PRODUCTION IS STRICTLY PROHIBITED AND CAN ONLY BE COPIED, REVISED OR USED FOR PRODUCTION WITH THE EXPRESSED WRITTEN PERMISSION OF SIGNCOMP.

DRAWN Steve	5/21/2010	<b>SignComp</b>	
CHECKED			
QA		TITLE Series 3 Bleed Body - Series 3 Square Post with Radius Edges - Assembly	
MFG		SIZE C	DWG NO K1270-35-00
APPROVED		SCALE	REV
			SHEET 1 OF 1

Ship To:

Order #:

Parts List			
ITEM	PART #	DESCRIPTION	NOTES
1	1270	Series 3 Bleed Body	Top & Bottom
2	1270	Series 3 Bleed Body	Sides
3	5337	Series 3 Bleed Body Corner Angle	



DETAIL A

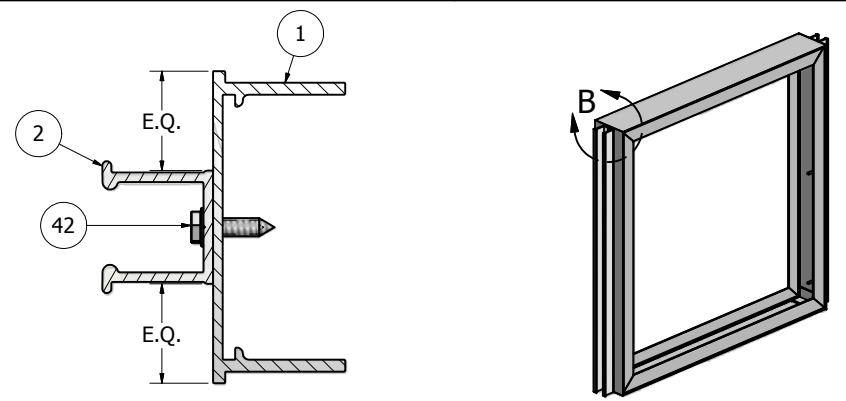
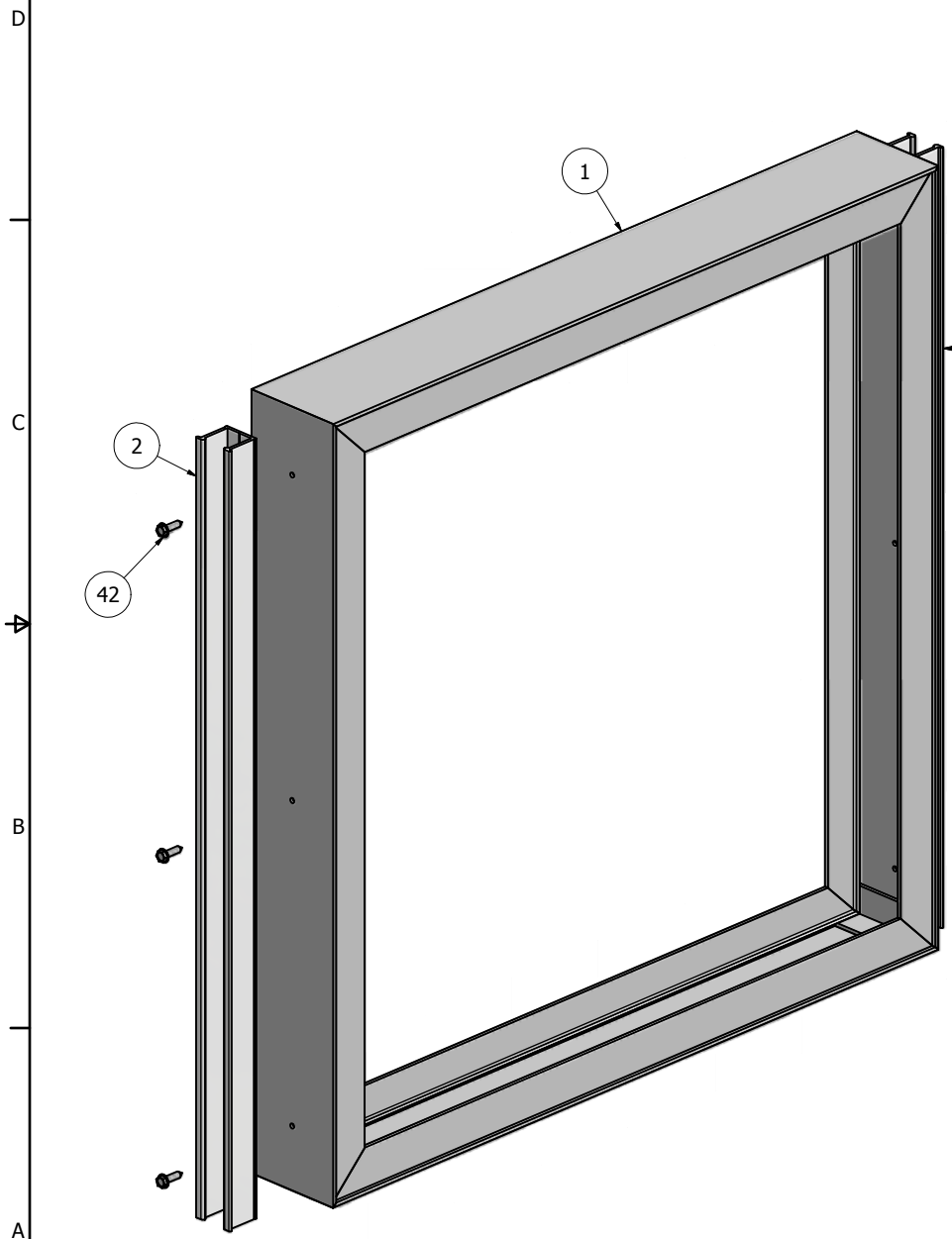
**NOTE: PRE-CUT KITS ARE NOT PRE-DRILLED.**  
 (Holes shown in this drawing are for reference only.  
 Drilling of pilot holes are to be done by fabricator.)

THIS DRAWING WAS CREATED AT NO CHARGE TO ASSIST YOU IN VISUALIZING OUR PROPOSAL. THE DRAWING HEREIN IS THE PROPERTY OF SIGNCOMP. PERMISSION TO COPY OR REVISE THIS DRAWING OR TO USE THIS DRAWING FOR PRODUCTION IS STRICTLY PROHIBITED AND CAN ONLY BE COPIED, REVISED OR USED FOR PRODUCTION WITH THE EXPRESSED WRITTEN PERMISSION OF SIGNCOMP.

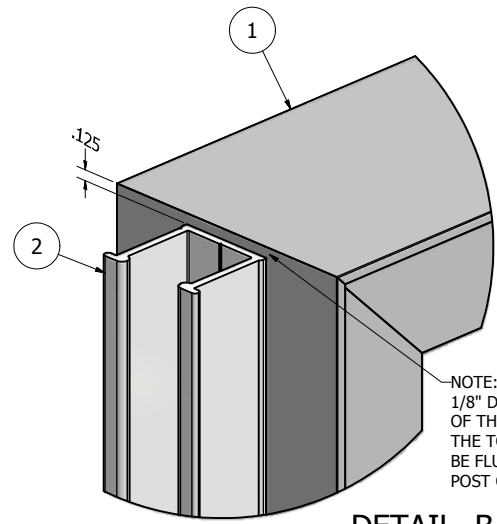
DRAWN	4/1/2010	<h1>SignComp</h1> <p>Series 3 Bleed Body - Assembly</p>		
CHECKED				
QA				
MFG				
APPROVED				
SIZE	C	DWG NO	K1260	REV
SCALE		SHEET 1 OF 1		

Ship To:  
 Order #:

Parts List			
ITEM	PART #	DESCRIPTION	NOTES
1	K1270	Series 3 Bleed Body	Assembly
2	1200	Series 2/3 Reveal	Attach to Bleed Body
42	5220	Reveal to Body Screw	Drill 5/32" pilot hole 12" OC



SECTION A-A



NOTE: THE REVEAL IS PLACED 1/8" DOWN FROM THE TOP OF THE CABINET THE ALLOWS THE TOP OF THE CABINET TO BE FLUSH WITH THE TOP OF THE POST CAP.

DETAIL B

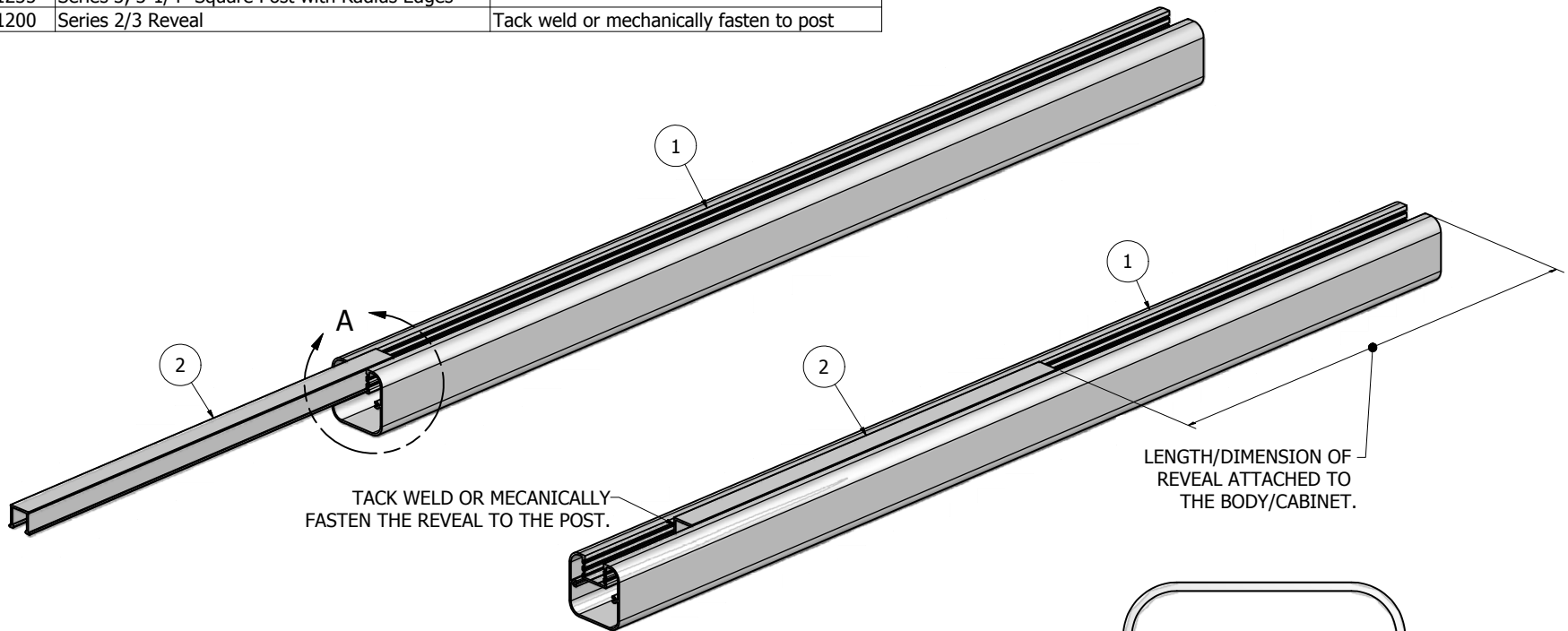
**NOTE: PRE-CUT KITS ARE NOT PRE-DRILLED.**  
 (Holes shown in this drawing are for reference only.  
 Drilling of pilot holes are to be done by fabricator.)

THIS DRAWING WAS CREATED AT NO CHARGE TO ASSIST YOU IN VISUALIZING OUR PROPOSAL. THE DRAWING HEREIN IS THE PROPERTY OF SIGNCOMP. PERMISSION TO COPY OR REVISE THIS DRAWING OR TO USE THIS DRAWING FOR PRODUCTION IS STRICTLY PROHIBITED AND CAN ONLY BE COPIED, REVISED OR USED FOR PRODUCTION WITH THE EXPRESSED WRITTEN PERMISSION OF SIGNCOMP.

DRAWN	4/1/2010	<b>SignComp</b>	
CHECKED			
QA		TITLE	
MFG		Series 3 Bleed Body - Series 2/3 Reveal - Assembly	
APPROVED		SIZE	DWG NO
		C	K1270-00
		SCALE	REV
			SHEET 1 OF 1

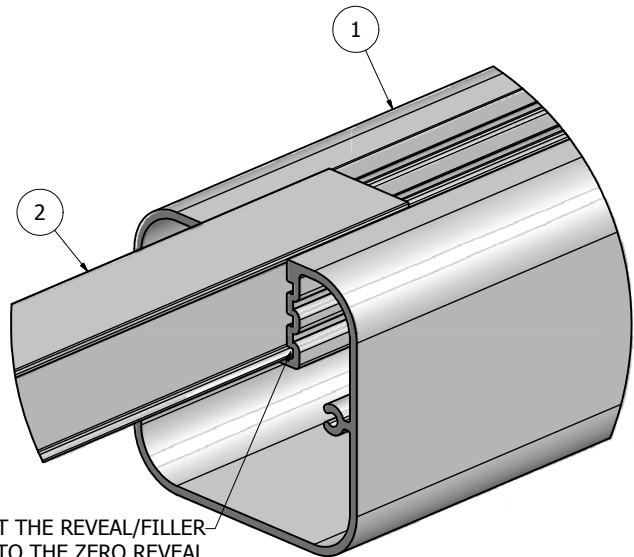
Ship To:  
 Order #:

Parts List			
ITEM	PART #	DESCRIPTION	NOTES
1	1235	Series 3, 3-1/4" Square Post with Radius Edges	
2	1200	Series 2/3 Reveal	Tack weld or mechanically fasten to post



TACK WELD OR MECANICALLY FASTEN THE REVEAL TO THE POST.

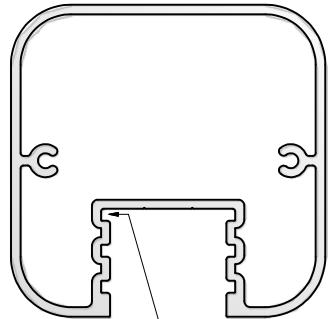
LENGTH/DIMENSION OF REVEAL ATTACHED TO THE BODY/CABINET.



INSERT THE REVEAL/FILLER INTO THE ZERO REVEAL POSITION. SLIDED IT UP INTO THE POST.

DETAIL A

Ship To:  
Order #:



ZERO REVEAL

**NOTE: PRE-CUT KITS ARE NOT PRE-DRILLED.**  
(Holes shown in this drawing are for reference only. Drilling of pilot holes are to be done by fabricator.)

THIS DRAWING WAS CREATED AT NO CHARGE TO ASSIST YOU IN VISUALIZING OUR PROPOSAL. THE DRAWING HEREIN IS THE PROPERTY OF SIGNCOMP. PERMISSION TO COPY OR REVISE THIS DRAWING OR TO USE THIS DRAWING FOR PRODUCTION IS STRICTLY PROHIBITED AND CAN ONLY BE COPIED, REVISED OR USED FOR PRODUCTION WITH THE EXPRESSED WRITTEN PERMISSION OF SIGNCOMP.

DRAWN	4/20/2010	<b>SignComp</b>	
CHECKED			
QA		TITLE	
MFG		Series 3, 3-1/4" Square Post with Radius Edges - Series 2/3 Reveal - Assembly	
APPROVED		SIZE	DWG NO
		C	K1235-00
		SCALE	SHEET 1 OF 1